

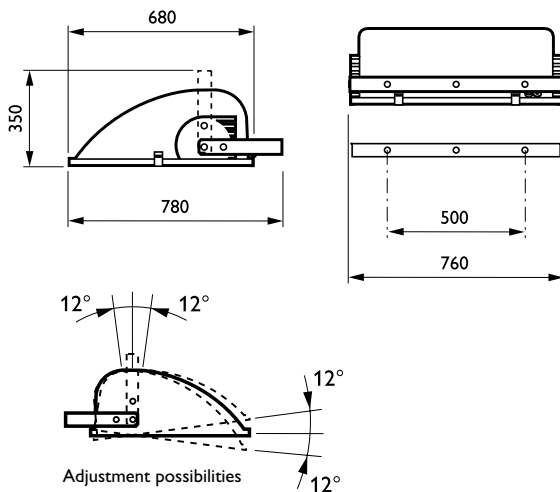
# ComfortVision

ComfortVision is a high-efficiency, asymmetric floodlight, distributing a low-glare beam evenly and accurately. It can accommodate metal-halide lamps for good colour rendering or a high-pressure sodium lamp for economical performance. Available in medium- or narrow-beam versions, the floodlight accepts a single 1,000 or two 400 or 600W lamps. The twin-lamp version offers switching flexibility that permits tailoring to the user's needs while allowing energy savings. ComfortVision's rugged all-weather construction is designed for easy aiming, simple cleaning and speedy servicing.



## Features and Benefits

- Rugged, all-weather construction
- Single 1000 W or two switchable 400 or 600 W lamps
- Medium or narrow beam
- Adjustment range of  $\pm 12^\circ$  from the horizontal
- Universal mounting bracket



Product ID	L (mm)	W (mm)	H (mm)
SNFI 11	780	760	350

Dimensions in mm (Nominal)

# ComfortVision continued

COMFORTVISION			
Family Name	ComfortVision	Control Gear	Conventional (gear tray mounted or IP65 box) **
Model	SNF111	Installation	Floodlight mounting bracket
Lamp Types	SON-T	IP rating	IP65
Wattage	1kW, 2x400W **	Weight	23.5kg (excluding gear)
Lamp Colour	N/A **	Colour of housing	Silver
Colour Rendering Index (CRI)	N/A **	Application	Industrial Areas / Roundabouts / Car Parks / Sports Lighting / Airports
Flex and Plug	No	Accessories	N/A
Optics	NB, MB		

\*\* Please note that lamp and control gear are to be purchased separately.

COMMERCIAL CODE	I 2NC	DESCRIPTION
SNF111SON1KWNB	910403929112	SNF111 1xSON-T1000W NB SI
SNF111SON1KWMB	910403929212	SNF111 1xSON-T1000W MB SI
SNF1112SON400NB	910403929512	SNF111 2XSON-T400W NB SI
SNF1112SON400MB	910403929612	SNF111 2xSON-T400W MB SI