

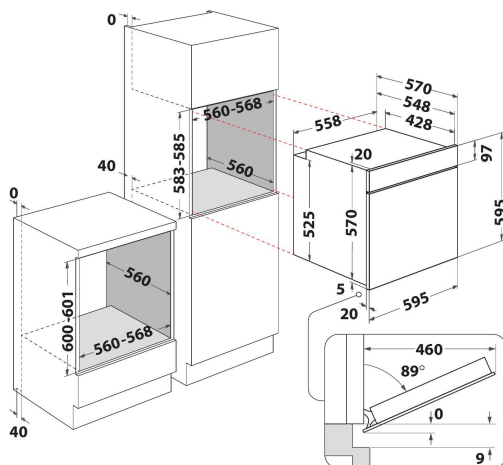
OAS KN8V1 IX

12NC: 859991558460

GTIN (EAN) code: 8003437938801

Whirlpool

SENSING THE DIFFERENCE



- Energy class A+
- Cavity 71 L
- Cook3
- Defrost function
- Forced Air Fan Cooking
- Turbo Fan
- Grill
- Easy Clean Enamel Interior
- Turbo grill function
- Maxi cooking
- Pizza/Bread function
- Eco Forced Air
- Rising
- Special functions
- Conventional Cooking
- "Push Push" knobs
- Door Glasses Number: 2

Whirlpool built in electric oven: inox color - OAS KN8V1 IX

This Whirlpool built in Oven features: advanced electric technology allowing you to cook dishes saving energy. Innovative Cook3 function, that allows you to cook up to three separate dishes at the same time, without the risk of aromas mixing.

Multifunction 8

Multiple cooking methods. The Multifunction 8 feature offers flexible cooking options, to ensure perfect results, whatever the recipe.

Cook3

No aroma mixing. With the innovative Cook3 function, you can cook up to three separate dishes at the same time, without the risk of aromas mixing.

Forced Air

Seal in the taste. Thanks to the Forced Air technology, preheated air is circulated inside your Oven using an innovative convection system, giving you moist, juicy cooking results.

Electronic control

Electronic temperature control.

Sliding shelves

Smooth motion. This Whirlpool oven features soft-sliding shelves, for increased ease of use.

Standard cavity

This Whirlpool Oven features a standard-size cavity.

Energy class

Outstanding energy savings. Ovens with an A/ A+ energy rating offer an excellent level of energy efficiency, ensuring lower consumption and saving you money on your energy bills.

Urban aesthetic

The Urban collection. Admire the beauty of performance. With a futuristic design and unparalleled performance, the Urban collection is designed for modern, high-tech kitchens. Equipped with innovative 6TH SENSE technology, Urban ovens can be set in three simple steps for perfect results. Maximum flexibility and ease of use with a distinctive look and original finishes.

Push push

The knobs' 'push push' design ensure extra comfortable ease of use and a premium look.

Energy class A+

Greater energy efficiency. With its A+ energy rating, this Whirlpool appliance will allow you to enjoy both ideal performance and excellent energy consumption.

OAS KN8V1 IX

12NC: 859991558460

GTIN (EAN) code: 8003437938801

Whirlpool

SENSING THE DIFFERENCE

MAIN FEATURES

Product group	Oven
Commercial code	OAS KN8V1 IX
Main colour of product	Inox
Construction type	Built-in
Type of control	Electronic
Type of control settings	-
Are any hobs controls integrated?	No
Which kind of hobs can be controlled?	-
Automatic programmes	Yes
Current (A)	13
Voltage (V)	220-240
Frequency (Hz)	50/60
Length of Electrical Supply Cord (cm)	100
Plug type	No
Depth with open door 90 degree (mm)	-
Height of the product	595
Width of the product	595
Depth of the product	551
Minimum niche height	0
Minimum niche width	0
Niche depth	0
Net weight (kg)	26.9
Usable volume (of cavity)	71
Integrated Cleaning system	No
Grids of the cavity	1
Trays	2

TECHNICAL FEATURES

Timer	Yes
Time control	Electronic
Time-setting options	Stop
Safety device	-
Interior light	Yes
Number of interior lights of the cavity	0
Position of interior lights of the cavity	Front left
Oven guides of the cavity	Telescopic
Probe of the cavity	No

PERFORMANCES

Energy input	Electric
Type of energy of the cavity	Electricity
Energy efficiency class - NEW (2010/30/EU)	A+
Energy consumption per cycle conventional - NEW (2010/30/EU)	0.89
Energy consumption per cycle forced air convection - NEW (2010/30/EU)	0.69

ENERG Y UA
енергия · ενεργεια IE 1A

WHIRLPOOL OAS KN8V1 IX

A+++
A++
A+
A
B
C
D

A+

71 L

0.89 kWh/cycle*

0.69 kWh/cycle*

* ημερησια - cyklus - parţion - zyklos - nopolyraksa - ciclo - tsükkel - ohjelma - ciklus - cikls - ciklu - cycles - cykl - ciclu - program - cykel

65/2014