

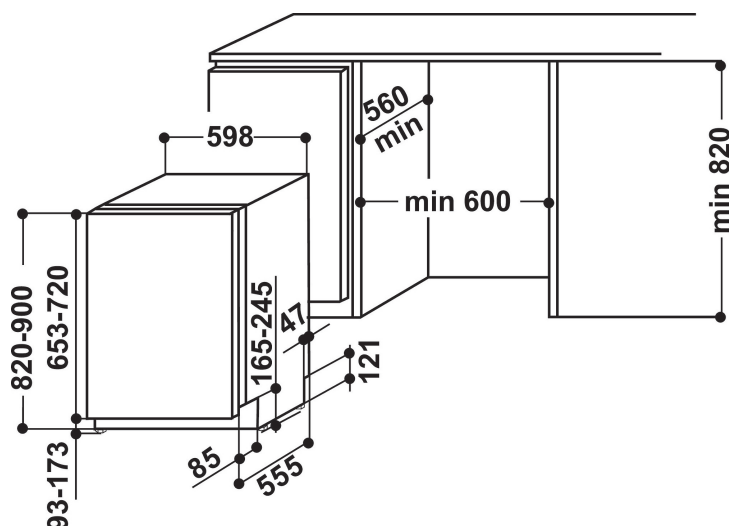
# WIC 3C23 PEF

12NC: 859991007840

GTIN (EAN) code: 8003437205378

Whirlpool

SENSING THE DIFFERENCE



- Installation Type: Built-in
- Energy class A++
- 14 place settings
- 6TH Sense Technology
- Noise level: 43 dB(A)
- 9.5 L per cycle (2660 L per year)
- PowerCleanPro
- PowerCleanPRO
- Third rack: Yes, fixed + handle plastic
- Autoclean filter
- Start delay 1-12 h
- Silent
- FlexiSpace
- Adjustable upper rack
- Multizone
- Cutlery basket
- Tablet

## Whirlpool integrated dishwasher: silver color, full size - WIC 3C23 PEF

This Whirlpool integrated Dishwasher features: silver color. Outstanding A++ energy rating, for reduced energy consumption. Adjustable feet, for perfect stability on uneven floors and surfaces. Innovative technology ensuring extra silent performance, for a very quiet appliance. Superb cleaning performance, for ideal washing results.



### Powerclean Pro

Powerful water jets on the rear of the machine work to deliver supreme cleaning results on the toughest soil. The intelligent sensors detect the level of dirt and adapt the water pressure accordingly.



### Third rack

All the space you need. Your Whirlpool Dishwasher provides a third rack: the ideal solution for additional loading capacity, so you'll never run out of space.



### Single rack washing option

Outstanding water efficiency. The single rack option allows you to wash a small number of dishes without having to wait to fill your Dishwasher. Enjoy perfect results and low water consumption.



### 14 Place Settings

All the space you need. This Whirlpool Dishwasher provides 14 versatile place settings, so you can enjoy all the space you need, always.



### Silent

Silent performance. Your Whirlpool Dishwasher is designed to provide ideal washing results, while ensuring the lowest possible noise output.



### 6th Sense

No prewash required. technology provides perfect washing results with no pre-washing, soaking or scrubbing by hand, while effectively reducing water consumption and costs.



### A++ energy efficiency

High energy efficiency. With its A++ Energy Rating, this Whirlpool Dishwasher provides ideal results, while saving energy and resources.

### NaturalDry

The automatic door opening at the end of the program ensures better and more natural drying. This system guarantees higher energy efficiency and better drying results.



### Start Delay

Tailored for you. The Start Delay option allows you to set the Dishwasher to begin its cycle whenever most convenient for you, saving you both time and energy.

# WIC 3C23 PEF

12NC: 859991007840

GTIN (EAN) code: 8003437205378

**Whirlpool**

SENSING THE DIFFERENCE

## MAIN FEATURES

|                                       |                      |
|---------------------------------------|----------------------|
| Construction type                     | Built-in             |
| Installation type                     | Full-integrated      |
| Type of control                       | Electronic           |
| Type of control settings              | -                    |
| Removable work top                    | N/A                  |
| Door decor panel                      | N/A                  |
| Main colour of product                | Silver               |
| Electrical connection rating (W)      | 1900                 |
| Current (A)                           | 10                   |
| Voltage (V)                           | 220-240              |
| Frequency (Hz)                        | 50                   |
| Length of Electrical Supply Cord (cm) | 130                  |
| Plug type                             | Schuko               |
| Length inlet hose (cm)                | 155                  |
| Length outlet hose (cm)               | 150                  |
| Adjustable plinth                     | No                   |
| Height of removable worktop (mm)      | 0                    |
| Adjustable feet                       | Yes - all from front |
| Height of the product                 | 820                  |
| Width of the product                  | 598                  |
| Depth of the product                  | 555                  |
| Depth with open door 90 degree (mm)   | -                    |
| Minimum niche height                  | 820                  |
| Maximum niche height                  | 900                  |
| Minimum niche width                   | 600                  |
| Maximum niche width                   | 600                  |
| Niche depth                           | 560                  |
| Net weight (kg)                       | 35.5                 |
| Gross weight (kg)                     | 37.5                 |

## TECHNICAL FEATURES

|   |            |
|---|------------|
| Automatic programmes                      | Yes        |
| Maximum temperature for water intake (°C) | 60         |
| Start delay options                       | Continuous |
| Start delay time max. (h)                 | 12         |
| Progress indicator                        | -          |
| Digital countdown indicator               | Yes        |
| Salt light indicator                      | Yes        |
| Rinse aid light indicator                 | Yes        |
| Safety device                             | N/A        |
| Adjustable upper basket                   | Yes        |
| Largest loadable dish upper basket (cm)   | 0          |
| Largest loadable dish lower basket (cm)   | 0          |
| Number of place settings                  | 14         |

## PERFORMANCES

|  |      |
|--|------|
| Energy efficiency class - NEW (2010/30/EU)               | A++  |
| Energy consumption annual (kWh/annum) - NEW (2010/30/EU) | 266  |
| Duration of the left-on mode - NEW (2010/30/EU)          | 12   |
| Power consumption in left-on mode - NEW (2010/30/EU)     | 6    |
| Power consumption in off-mode - NEW (2010/30/EU)         | 0.5  |
| Water consumption annual (l/annum) - NEW (2010/30/EU)    | 2660 |
| Noise level (dB(A) re 1 pW)                              | 43   |

**ENERG** Y IA  
енергия · ενεργεια IE IA

**WHIRLPOOL** WIC 3C23 PEF

A+++  
A++  
A+  
A  
B  
C  
D

**A++**

**266** kWh/annum

ENERGIA · ЕНЕРГИЯ · ΕΝΕΡΓΕΙΑ  
ENERGIJA · ENERGIY · ENERGIJE  
ENERGI

**2660** L/annum  
2010/1059

ABCDEF G X **14** **43** dB