

BI WDWG 75148 MEA

12NC: 859991567740

GTIN (EAN) code: 8003437236624



Whirlpool integrated washer dryer: 7kg - BI WDWG 75148 MEA

This Whirlpool integrated Washer Dryer features: white color. Exclusive 6th SENSE technology that constantly monitors the moisture inside the drum, protecting your clothes and providing ideal washing and drying results. A fast, resource-efficient 1400 revolutions per minute spin speed.



6th Sense Technology

Ideal fabric care. This Whirlpool Dryer's unique 6th SENSE 3Dry technology provides multiple flows of warm air that delicately dry your laundry, with absolute care.



Colour 15

This program uses a delicate 15° cycle, designed to preserve the bright colours on synthetic fabrics.



1 Kg laundry in 45 minutes

Enjoy better results, faster. The 45 Minute program washes and dries 1 kg of laundry in just 45 minutes, providing the excellent results you deserve, in less time.



1400 rpm

Outstanding speed. This Whirlpool Washer Dryer features a 1400 rounds per minute spin speed.



B class

Energy efficient. This Whirlpool Dryer is an Energy Class B appliance.



7 Kg Wash capacity

All the space you need. With its 7kg wash capacity, this Whirlpool Dryer provides all the space you need for your laundry.



SoftMove

SoftMove technology provides a drum motion during cycles, ensuring extra care for your delicate items.



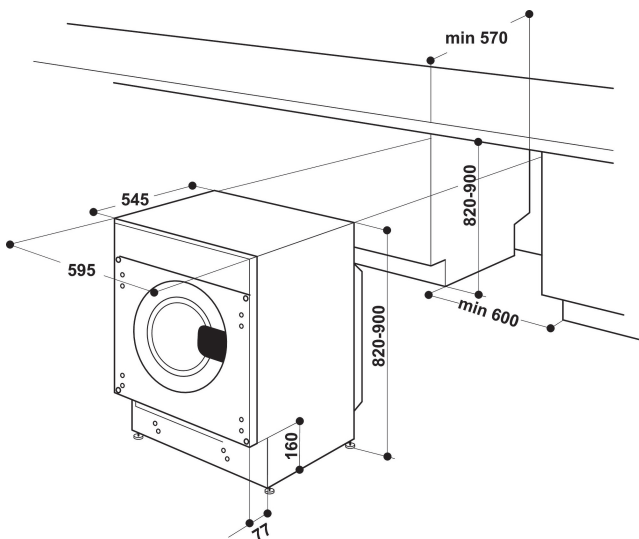
FreshCare+

Delicate steaming and tumbling action take care of your garments inside the washer dryer*. * FreshCare+ treatment, thanks to steaming and tumbling actions, inhibits the proliferation of the main bad odour sources for up to 6 hours after the washing ends and, thanks to the tumbling action, avoids the creases fixing on garments for up to 6 hours after the drying cycle ends.



Drying option

Versatile drying options. Customize the drying cycles of your Washer Dryer with the a set of versatile drying options.



- Energy class B
- Drying capacity: 5 kg
- Maximum spin speed: 1400 rpm
- 6TH Sense Technology
- FreshCare+
- Start delay 1-24h
- Wash & Dry 45 min
- Wash & Dry 90 min
- Program chrono 30
- Eco cotton
- Colours 15°
- Delicates
- Program Progress Indicators
- Cotton
- Wool
- Rinse & spin
- Synthetics

BI WDWG 75148 MEA

12NC: 859991567740

GTIN (EAN) code: 8003437236624

MAIN FEATURES

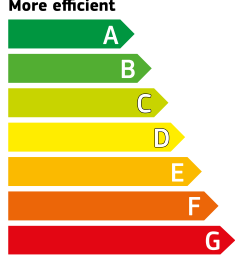
Product group	Washer dryer
Commercial code	BI WDWG 75148 MEA
GTIN (EAN) code	8003437236624
Construction type	Built-in
Installation type	Built-in
Removable work top	No
Loading type	Front loader
Main colour of product	White
Electrical connection rating (W)	1850
Current (A)	13
Voltage (V)	220-240
Frequency (Hz)	50
Length of Electrical Supply Cord (cm)	170
Plug type	UK
Height of the product	82
Width of the product	60
Depth of the product	54
Depth with open door 90 degree (mm)	-
Net weight (kg)	65

TECHNICAL FEATURES

Automatic programmes	Yes
Moisture monitoring system	Yes
Adjustable drying temperature	No
Progress indicator	DISPLAY
Digital countdown indicator	No
Start delay options	Continuous
Start delay time max. (h)	0
Blocked filter indicator	No
Quick dry	No
Anti-crease function	No
Drum volume (l)	52

PERFORMANCES

Energy efficiency class	B
Spin drying class	-
Capacity cotton (kg) washing	7
Capacity cotton drying (kg)	5
Noise level (dB(A) re 1 pW) -	N/A
Noise level drying (dB (A) re 1 pW)	0
Rest humidity % on dry load after max. spin	0
Energy consumption (wash and dry of full wash load) (kWh)	0
Energy consumption (wash only) (kWh)	0
Water consumption (wash and dry full wash load) (l)	0
Total annual energy consumption (Washing and drying 200 full loads) (kWh)	0
Total annual water consumption (Washing and drying 200 full loads) (l)	0
Washing and drying cycle time (min)	0

Energy		Washer-dryer
Manufacturer		WHIRLPOOL
Model		BI WDWG 75148 MEA
More efficient 		B
Less efficient Energy consumption kWh <small>(to wash and dry a full capacity wash load at 60°C)</small>		0
Washing (only) kWh <small>Actual energy consumption will depend on how the appliance is used</small>		0
Washing performance <small>A: higher G: lower Spin speed (rpm)</small>		A B C D E F G 1400
Capacity (cotton) kg	Washing	7
	Drying	5
Water consumption (total) l		0
Noise (dB(A) re 1 pW)	Washing	0
	Spinning	0
	Drying	0
<small>Further information is contained in product brochures</small>		
<small>Norm EN 50229 Washer-drier Label Directive No 96/60/EC</small>		