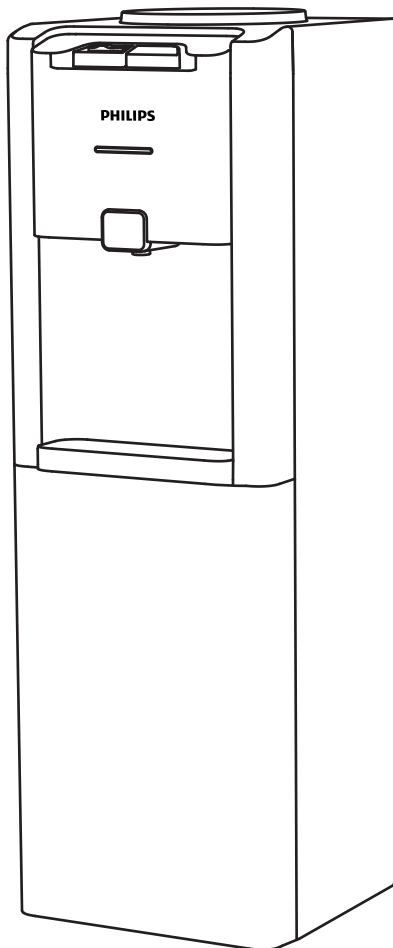


PHILIPS

Dispenser

ADD4952



User Manual

Content

1 Main technical specification 1

2 Product overview 2

3 Instruction 3

4 Precautions 3

5 Cleaning and maintenance 5

6 Trouble shooting 5

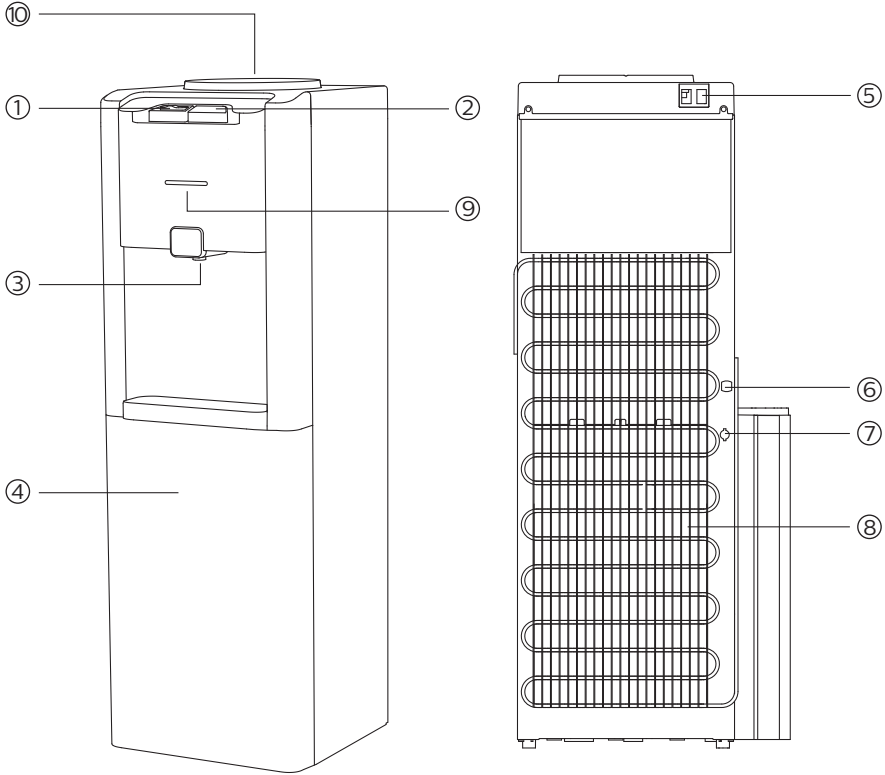
7 Guarantee and Service 6

8 Packing list 6

1 Main technical specification

Model	ADD4952
Rated voltage	220V-240V~
Rated frequency	50Hz/60Hz
Heating power	420W
Cooling power	85W
Hot water	$\geq 90^{\circ}\text{C}$, 4L/h
Cold water	$\leq 10^{\circ}\text{C}$, 2L/h
Environmental temp.	ST/T
Coolant	R134a, 38g
Relative humidity	$\leq 90\%$
Protection of anti-electric shock	I

2 Product overview



① Hot water button

② Cold water button

③ Water faucet

④ Lower cabinet

⑤ Power switch

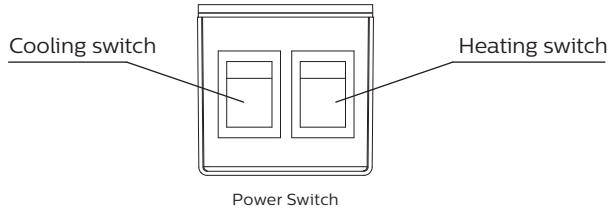
⑥ Power cord

⑦ Drain Plug

⑧ Condenser

⑨ Indicator

⑩ Bottle seat



At the back of the dispenser there is a red switch which controls the heating power, and a green switch controlling the cooling power.

You can turn it on when you need hot or cold water.

When you first turn on the switch, for optimal temperature, the dispenser will need around 20 minutes for hot water and around an hour for cold water.

3 Instruction

- Unpack the water dispenser. Place the dispenser indoors, on a flat surface and at a distance no less than 15 cm from the back wall.
- Insert the bottle vertically on the seat
- Press the hot water button until water flows out from the faucet.
- Insert the power plug to the wall socket.
- Turn on the power switch on the back of the unit to heat or cool the water. The indicator light will be on when heating or cooling is working. To get optimal temperature, do not turn off the power switch until heating or cooling is done.
- Enjoy the hot or cold water you need.
- If you do not need hot or cold water, turn off the power switch to conserve energy.

4 Precautions

- The drain plug on the back of the unit may become loose during shipping. Fasten the drain plug tightly before you start to operate the unit. If the drain plug is loose, the unit may leak and cause floor damage.
- Make sure to have poured water from the water faucet before plugging and switching the appliance ON to heat. If the dispenser is turned ON with an empty water tank, it can be damaged.
- When you are ready to move the water dispenser, do not tilt more than 45° to avoid damage to the compressor.
- Keep this appliance away from high temperatures and in a dry and ventilated place. Never install it in the open air or under rain or direct sunlight.

- Children should not use the red hot water tap.
- If the appliance is not going to be used for a long period of time, unplug it and drain all water in its interior.
- Before the first use and after a long period of not using it, the water tank and water pipes should be cleaned well. If possible, they should be disinfected, and the first heated water must be discarded (turn off the heating switch while draining the system).
- Wash and disinfect the system every 3-6 months with a suitable cleaner and according to its instructions for use.
- Do not pull out the cable to unplug. Do not turn on and off the appliance by connecting it and disconnecting it from the source of electricity.
- Do not clean the outside of the appliance with water to avoid of electric shock. Clean it with a soft cloth.
- If you are not using the appliance for a long period of time or during the night, you can turn it off to save energy.
- Do not attempt to change the power cord by yourself if it has any damage. Contact the aftersales personnel for support.
- If the power cable suffers any damage, contact the aftersales personnel for support.
- Use only properly grounded outlets.
- WARNING – to avoid the risks of an unstable installation, the equipment must be installed following its instruction.
- WARNING - keep the ventilation openings at the back of the appliance uncovered and unobstructed.
- NOTICE - do not damage the refrigerant circuit.
- The environmental temperature for this appliance should be between 18° C and 38 ° C.
- The appliance is not to be used by persons (including children) with reduced physical, sensory or mental capabilities, or lack of experience and knowledge, unless they have been given supervision or instruction.
- Children being supervised should not play with the appliance.
- Do not store explosive substances such as aerosol cans with a flammable propellant in this appliance.
- This appliance is intended to be used in household and similar applications such as: IEC 60335-2-15.
 - staff kitchen areas in shops, offices and other working environments;
 - farm houses;
 - by clients in hotels, motels and other residential type environments;
 - bed and breakfast type environments.
- WARNING: When positioning the appliance, ensure the supply cord is not trapped or damaged.
- WARNING: Do not locate multiple portable socket outlets or portable power supplies at the rear of the appliance.

5 Cleaning and maintenance

- To avoid accidents, turn off and unplug the water dispenser from the outlet before cleaning.
- A soft damp cloth may be used to clean the surface of the water dispenser. When necessary, a mild detergent may be used. DO NOT use corrosive chemical solvents to clean the unit, as this may damage the surface of the water dispenser.
- DO NOT pour water on the exterior of the unit to avoid getting the internal electrical system wet . DO NOT immerse the unit in water when cleaning.
- The water bottle cap, hose, and drip tray may be washed in a dishwasher (top rack only).
- Keep the water dispenser 6 inches (15cm) away from the wall so it can work properly. Make certain all ventilation openings are clear of obstruction.
- Do not damage the heating or cooling system, paying particular attention to the black condenser or heating radiator on the back of the water dispenser.
- If you will not use the water dispenser for a long period of time, please unplug the power cord and drain the water dispenser. Drain the water from all faucets, then remove the drain plug on back and allow it to drain. Make certain the drain plug is fastened tightly when finished.

6 Trouble shooting

Trouble	Possible causes	Solutions
Lights do not lit	1.Appliance is not connected to the electrical system 2.The switch is not on	1.Make sure that the switch is ON and the plug is connected 2.Turn the switch into on
Leaking	1.The water tank is broken 2.The water pipe is broken 3.The faucet is damaged	Contact aftersales personnel for support
Not heating	1.Heating switch is damaged or not connected well 2.The heating tank is broken 3.The electrical connection is loose	Contact aftersales personnel for support
Not cooling	1.Cooling switch is damaged or makes no contact 2.The electrical connection is loose	Contact aftersales personnel for support

7 Guarantee and Service

This product includes a two-year warranty for the dispenser and three-year warranty for compressor from the date of purchase. If you need more information, please visit: www.Philips.com.

Within the warranty period, you will receive free warranty service for any damage caused by the manufacturing process or components under normal operation confirmed by our maintenance service.

The warranty service does not include frequent replaced consumable components (water purifier filter, pitcher filter, granular activated carbon, ion exchange resin, hollow fiber membrane, etc.), auxiliary devices, transportation fee and door-to-door service.

Please show the proof of purchase to the service personnel during maintenance.

You cannot receive free warranty service under the following conditions:

1. Damage by improper operation, such as improper components connection, improper installation, deprived of manual use, misoperation.
2. Negligence and damage because of transportation or other accident.
3. Maintenance and modification without approval.
4. Other damage caused by force majeure (such as natural disaster, abnormal voltage, etc.).
5. Damage caused by general use outside home (e.g. industrial and commercial use).
6. Aging, wear and tear caused by normal operation of the product without affecting normal operation of the product.

This statement serves as a publicity for free maintenance within the specified time limit and conditions, and does not limit the legal rights of consumers.

8 Packing list

Water dispenser	1x
User Manual	1x
Supporting bracket kit	1x

Please keep this user manual for future reference.



Register your product and learn more in the website link below:
www.philips.com/welcome

Specifications are subject to change without notice

© 2019 AquaShield

All rights reserved.

The Philips trademark and the Philips Shield Emblem are registered trademarks of Koninklijke Philips N.V. used under license.

This product has been manufactured by and is sold under the responsibility of Hong Kong AquaShield Health Technology Company Limited and Hong Kong AquaShield Health Technology Company Limited is the warrantor in relation to this product.

Rev A Sep 19

